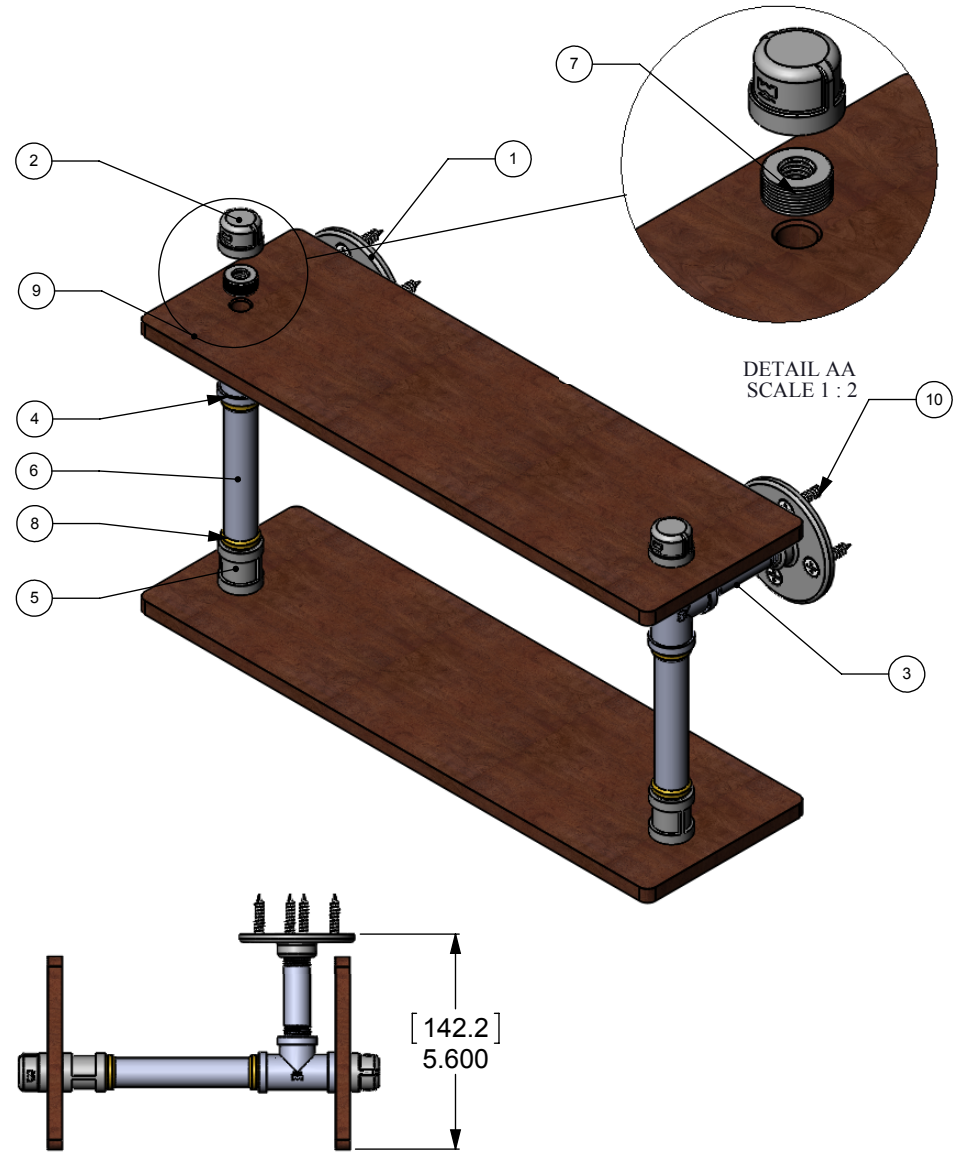
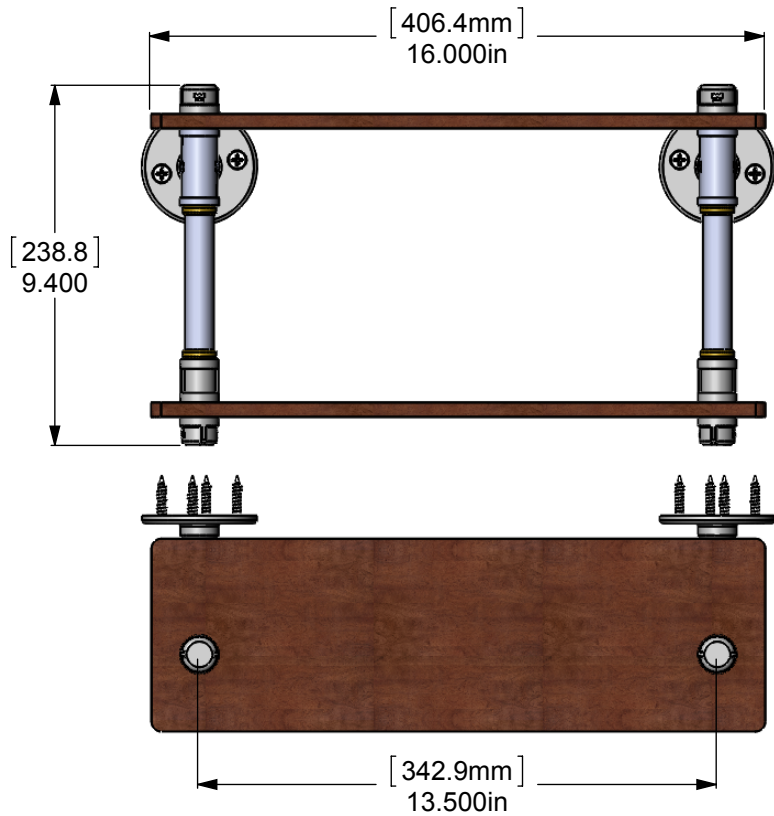


ITEM NO.	PART NUMBER	DESCRIPTION	QTY.
1	PIPE-FL38-3	3/8" FLANGE	2
2	PIPE-CAP-38	3/8" CAP	4
3	PIPE-NIP38-2.5	3/8" 2 1/2" NIP	2
4	PIPE-TEE-38	3/8" TEE	2
5	PIPE-CU-38	3/8" CUPLING	2
6	TU34-6	3/4" TUBE 6"	2
7	BUS-38X18	3/8 BUSHING	12
8	CRRD2-34	3/4" DOUBLE CK RING	4
9	IRWRT-16	IPE SHELF 16"	2
10	WOOD SCREW-12	#12 WOOD SCREW	8



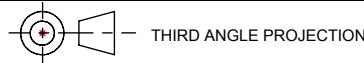
**APPROVED FOR PRODUCTION**

BY: RICHARD PAUL  
DATE: 5/31/2017

UNLESS OTHERWISE STATED

.X	±.3mm
.XX	±.15mm
.XXX	±.008mm

COPYRIGHT © Allied Brass 2017



DRAWN	5/28/2017	I.M	MATERIAL:	BRASS	FINISH	TBD
CHECKED	5/28/2017	P.D	DESCRIPTION:		QUANTITY	TBD
APPROVED	5/28/2017	R.A	Pipeline Collection Double IPE Shelf		DRAWING No.	REV
					P-470-16-DWS	0
				SCALE	1:5	SHEET: 01 A4